

# Airdamstylimit Side Step

Product name	side step	Product number	0102020
--------------	-----------	----------------	---------

Compatible car models	Model	applied model	grade
WRX STI	VAB	A-	All grades
WRX S4	VAG	A-	All grades

## Installation and handling manual

ÿ Thank you for purchasing our product.

ÿ This instruction manual contains precautions when using the product and when installing it in a car. It is described in detail. Please read it carefully and use it correctly.

ÿ Please keep this manual in a safe place so that you can read it at any time.

ÿ The following marks are used in this manual to indicate the level of danger to the customer.



**warn**

These are precautions that you must always follow for your safety. Contents  
If it is installed or handled without observing the  
There is a risk of death or serious injury.



**Notice**

This describes precautions that should be observed to prevent malfunction or  
damage to this product.



**Point:**

This page contains advice on installing this product.

**To dealers, please be sure to give this manual to your customers!**

**ZERO/SPORTS®**  
RACING DEVELOPMENT

6-101-2 Onocho, Kakamigahara City, Gifu Prefecture



---

- This product is exclusively for normal vehicles or compatible vehicles equipped with Zero Sports products.

We cannot guarantee the functionality, performance, or safety of this product if it is installed in other vehicles.

- The installation work of this product must be performed by a specialist or a licensed repair shop, and genuine parts must be installed.

Before removing, please use the manufacturer's maintenance manual and this magazine to fully understand the instructions.

- When installing this product, please do so on a flat surface to ensure safety.

- Before installing this product, please thoroughly check that there are no abnormalities in the vehicle to which it will be installed. If there is an abnormality,

Please repair that first.

- Before performing any work, wait until the engine, muffler, etc. have sufficiently cooled down. burns etc.

There is a fear.

- Do not install the product on roads or in areas where a large number of unspecified people come and go.

•Please be careful not to let small children or pets approach during work.

- When removing the battery, be sure to remove it from the negative terminal first, and then connect the terminals to each other or the terminals to the body.

Please be careful not to touch metal parts. When installing, start with the positive terminal.

A short circuit may lead to a serious accident.

- There is a risk of injury from the product or removed parts, so please protect yourself by wearing gloves and safety goggles.

Sai.

- After installing the product, please make sure that there are no abnormalities in your vehicle before performing a driving test. neglect to check and cause an accident.



---

- If there are any missing or defective parts or accessories regarding this product, please contact your retailer or our company.

Sai.

- To ensure work safety, be sure to stop the engine, apply the handbrake, and turn off the engine during installation work.

Do this with the key removed.

- Dropping the product or applying excessive force to the product may result in malfunctions or malfunctions.

So please be careful.

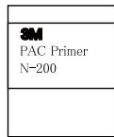
- Use appropriate tools and tighten removed bolts and nuts to the torque specified in the maintenance manual or this magazine.

Please take care of yourself.

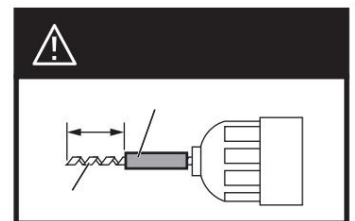
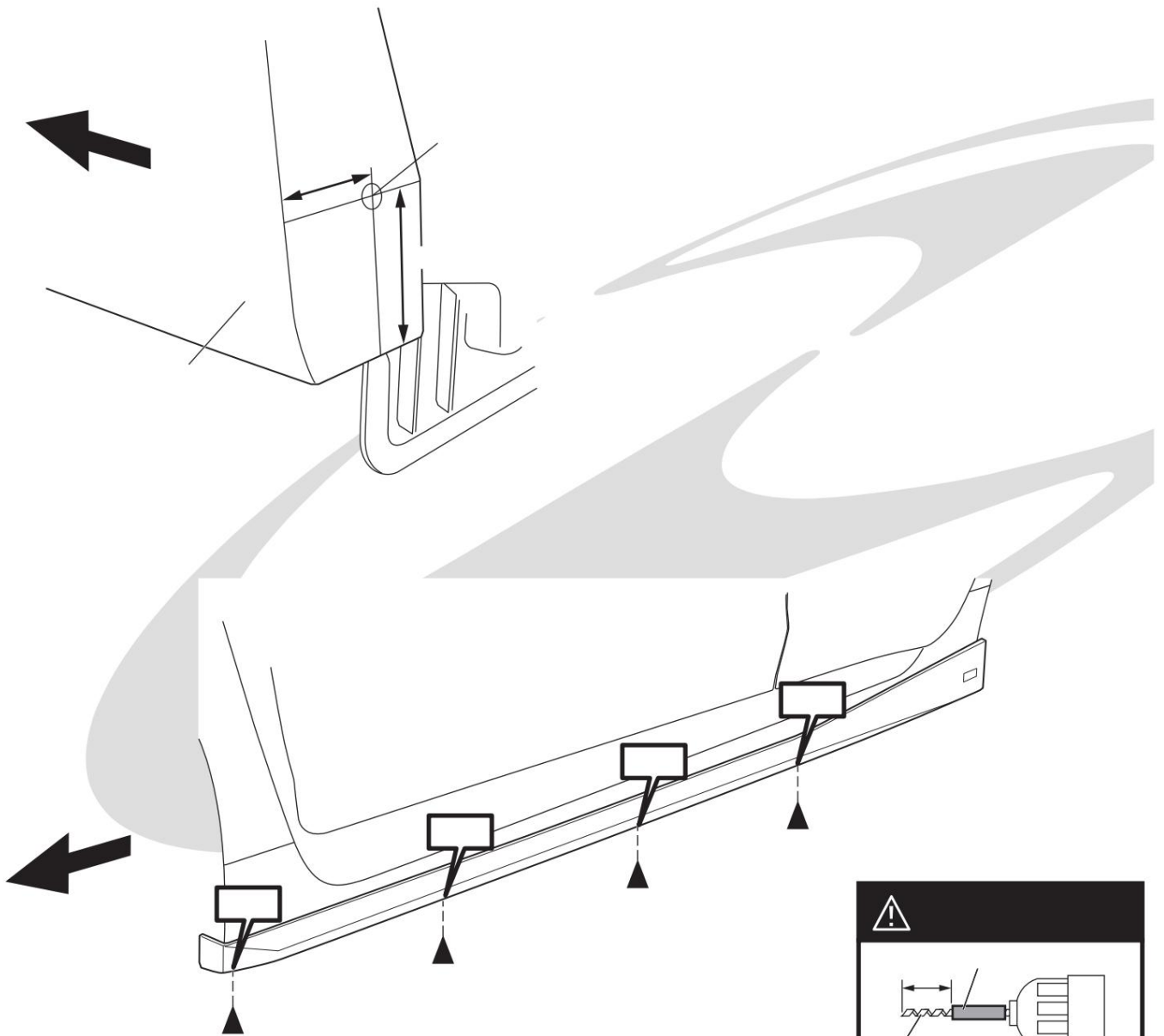
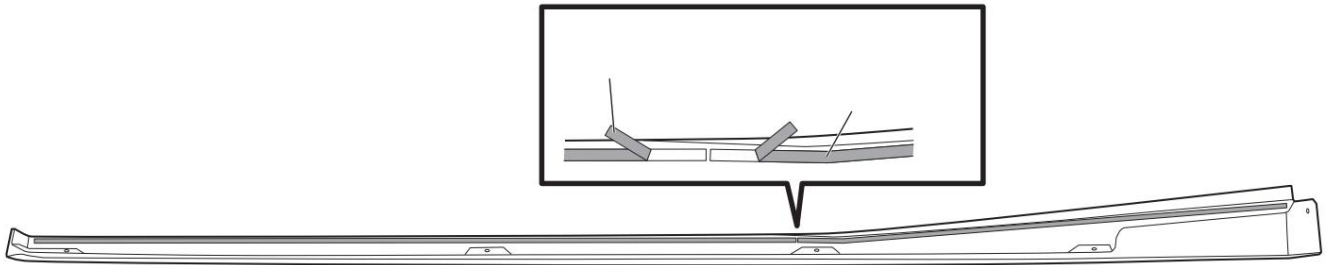
- Due to improvements to this product, specifications and accessories may change without prior notice.

## Components and accessories list

---

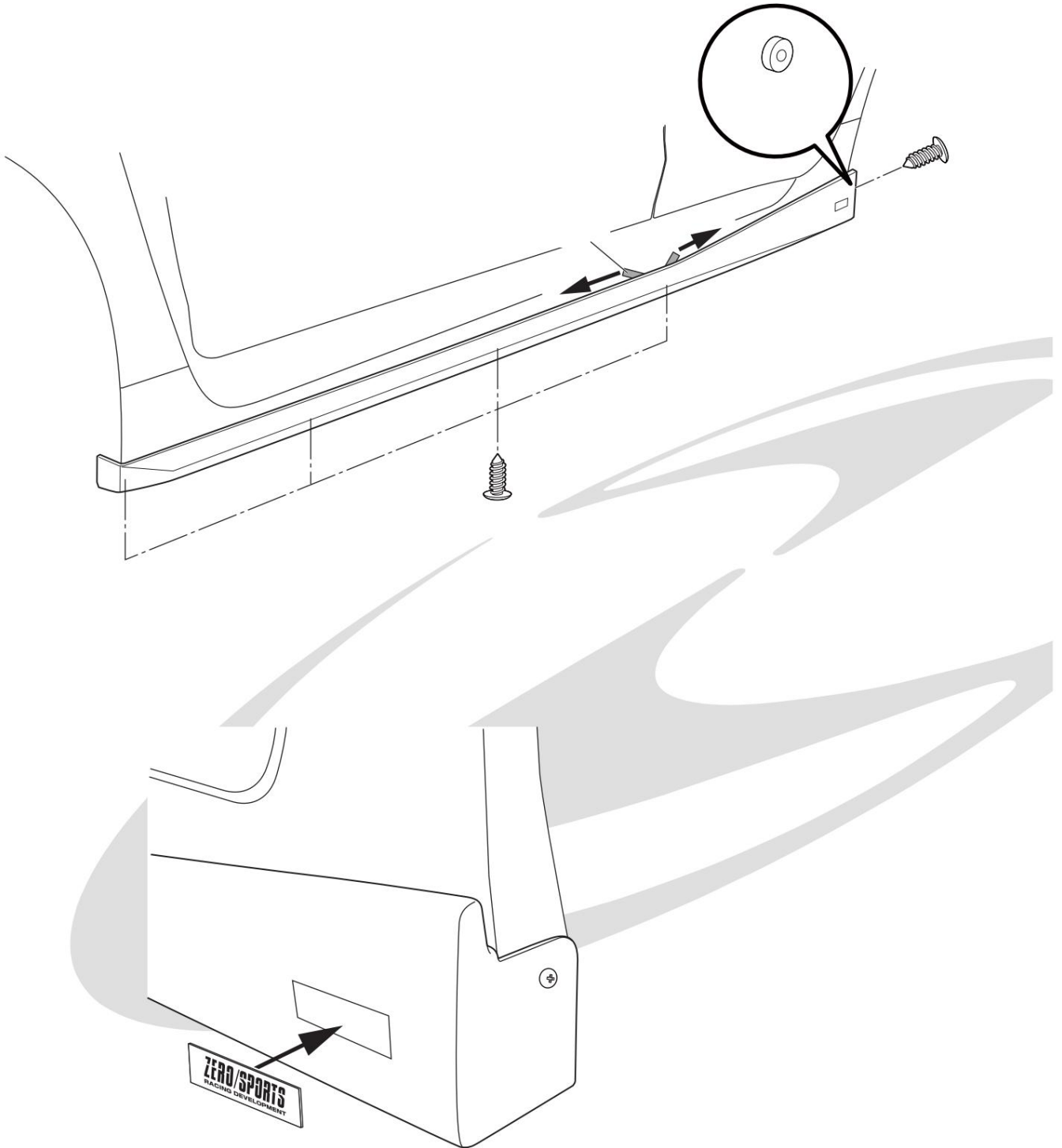


### Installation method (1)



## Installation method (2)

---



**ZERO/SPORTS<sup>®</sup>**  
**RACING DEVELOPMENT**

6-101-2 Ono-cho,

Kakamigahara City, Gifu Prefecture 504-0934

TEL:058-380-2828 (Customer Service)

FAX:058-380-2011

<http://www.zerosports.co.jp>

