

UNDER PANEL

Product name	under panel	Product number	0199060
--------------	-------------	----------------	---------

Compatible car models	Model	applied model	grade
WRX STI	VAB	A	

Installation and handling manual

ÿ Thank you for purchasing our product.

ÿ This instruction manual contains precautions when using the product and when installing it in a car.

It is described in detail. Please read it carefully and use it correctly.

ÿ Please keep this manual in a safe place so that you can read it at any time.

ÿ The following marks are used in this manual to indicate the level of danger to the customer.



These are precautions that you must always follow for your safety. Contents
If the product is installed or handled incorrectly without following the instructions, it may cause damage to the operator or user.
There is a risk of death or serious injury to the user.



Contains information that should be observed to prevent malfunction or damage to this product.
doing.



This page contains advice on installing this product.

To dealers, please be sure to give this manual to your customers!

ZERO/SPORTS®
RACING DEVELOPMENT

6-101-2 Onocho, Kakamigahara City, Gifu Prefecture



- This product is exclusively for normal vehicles or compatible vehicles equipped with Zero Sports products.

We cannot guarantee the functionality, performance, or safety of this product if it is installed in other vehicles.

- The installation work of this product must be performed by a specialist or a licensed repair shop, and genuine parts must be installed.

Before removing, please use the manufacturer's maintenance manual and this magazine to fully understand the instructions.

- When installing this product, please do so on a flat surface to ensure safety.

- Before installing this product, please thoroughly check that there are no abnormalities in the vehicle to which it will be installed. If there is an abnormality,

Please repair that first.

- Before performing any work, wait until the engine, muffler, etc. have sufficiently cooled down. burns etc.

There is a fear.

- Do not install the product on roads or in areas where a large number of unspecified people come and go.

•Please be careful not to let small children or pets approach during work.

- When removing the battery, be sure to remove it from the negative terminal first, and then connect the terminals to each other or the terminals to the body.

Please be careful not to touch metal parts. When installing, start with the positive terminal.

A short circuit may lead to a serious accident.

- There is a risk of injury from the product or removed parts, so please protect yourself by wearing gloves and safety goggles.

Sai.

- After installing the product, please make sure that there are no abnormalities in your vehicle before performing a driving test. neglect to check and cause an accident.



- If there are any missing or defective parts or accessories regarding this product, please contact your retailer or our company.

Sai.

- To ensure work safety, be sure to stop the engine, apply the handbrake, and turn off the engine during installation work.

Do this with the key removed.

- Dropping the product or applying excessive force to the product may result in malfunctions or malfunctions.

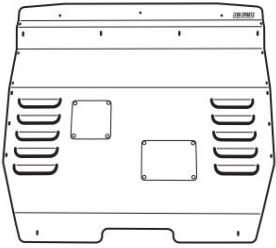
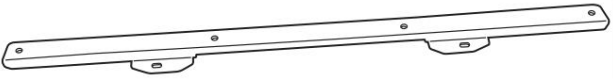
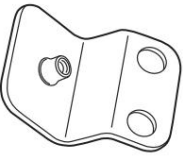
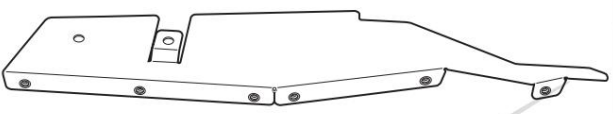


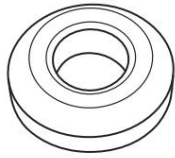
So please be careful.

- Use appropriate tools and tighten removed bolts and nuts to the torque specified in the maintenance manual or this magazine.

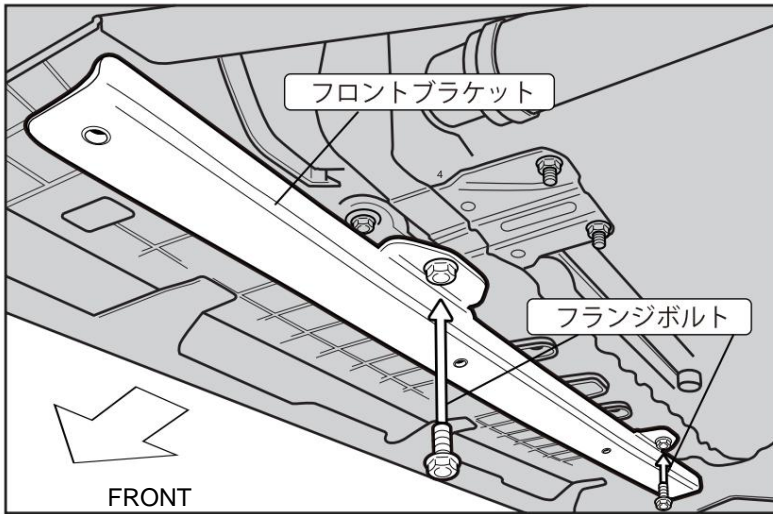
Please take care of yourself.

- Due to improvements to this product, specifications and accessories may change without prior notice.

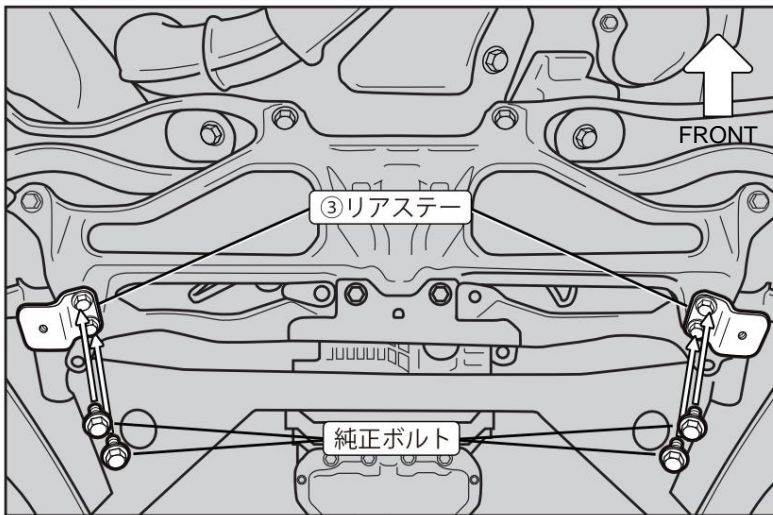
Component parts and accessories list (1)

	Product name	Under panel body
	Product number	5199060
	quantity	1
	Product name	front bracket
	Product number	
	quantity	1
	Product name	rear stay
	Product number	
	quantity	2
	Product name	Side panels (one each on the left and right)
	Product number	
	quantity	2
	Product name	Truss bolt M6x15
	Product number	
	quantity	18
	Product name	flange bolt
	Product number	
	quantity	2
	Product name	Color
	Product number	5199061
	quantity	2

Installation method (1)

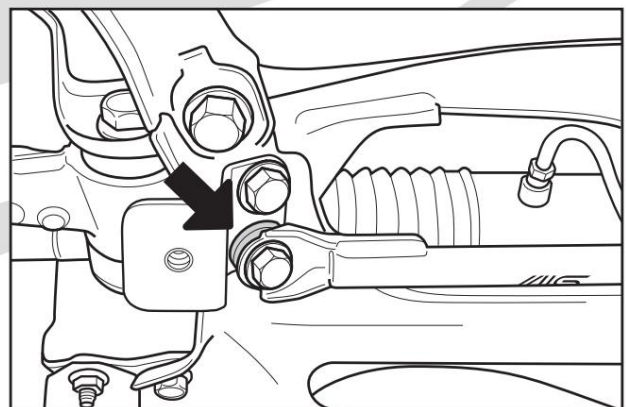
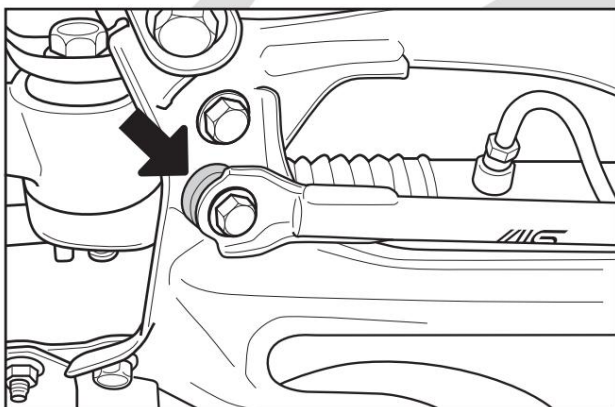


1. Remove the genuine under cover and attach the front bracket using the included flange bolts, referring to the illustration.



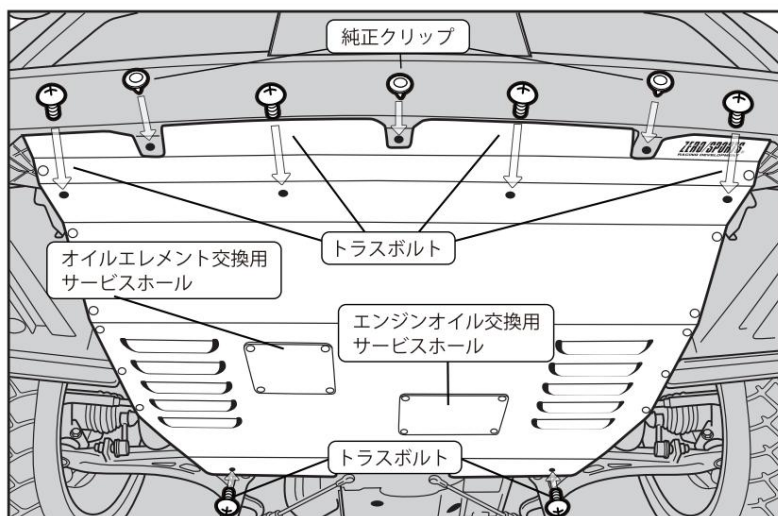
2. Refer to the diagram and attach the rear stay to the front arm using the genuine bolts.

*For vehicles equipped with STI front support kit

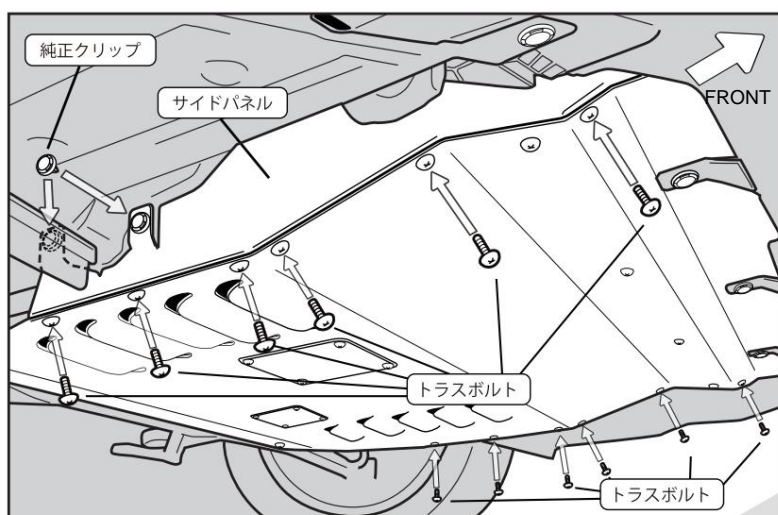


Change to the included color

Installation method (2)



3. Referring to the illustration, temporarily fix the under panel to the front section using the original clip, the front bracket and rear stay that were installed earlier, and the truss bolt.



4. Secure the side panel using the truss bolt and two genuine clips. Attach the opposite side in the same way.

5. Once all bolts are in place, tighten them evenly in several steps.

 **Notice** *When using the jack-up point, please remove the under panel body.

ZERO/SPORTS[®]
RACING DEVELOPMENT

6-101-2 Ono-cho,

Kakamigahara City, Gifu Prefecture 504-0934

TEL:058-380-2828 (Customer Service)

FAX:058-380-2011

<http://www.zerosports.co.jp>

